

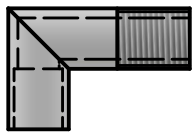


Innovators in Lubrication Design

Name		Date	
Author	R W	26/02/2020	
Checked			
Approved			
PF970LP			1 / 1
			A3



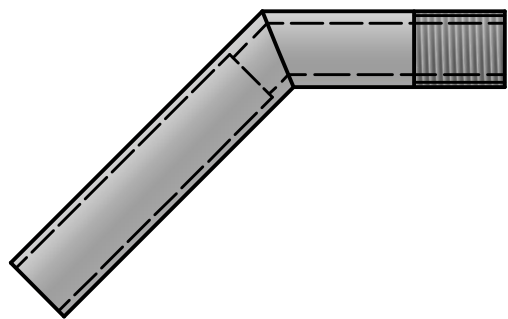
250MM TUBE X 4



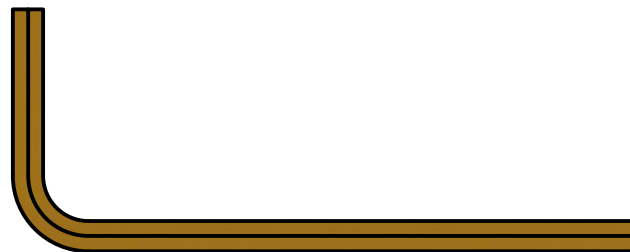
90 DEG END X 1



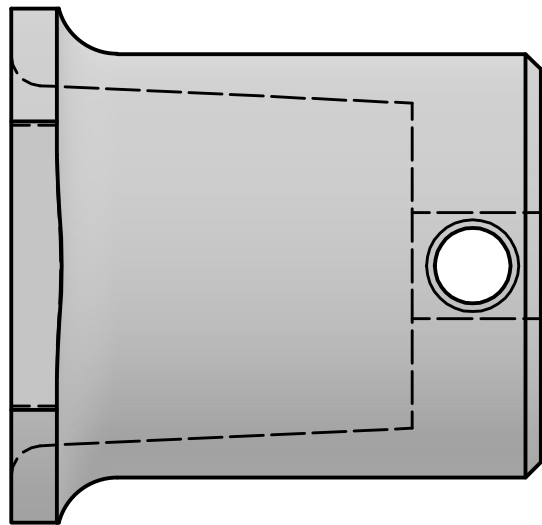
TIPS X 5



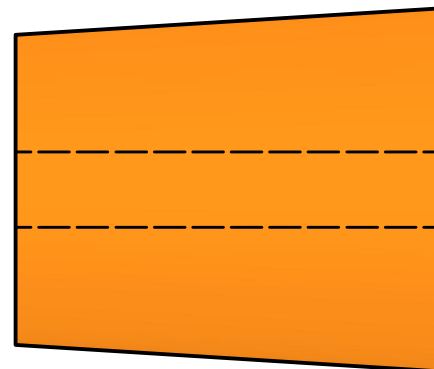
45' SHORT X 1



ALLEN KEY X 5



NOZZLE X 2



BUNG X 5