



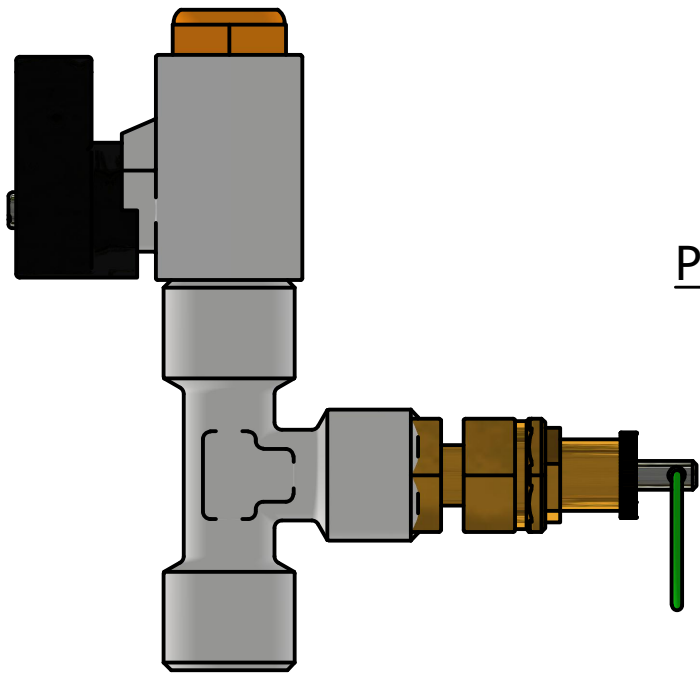
Innovators in Lubrication Design

Name		Date	
Author	R W	26/02/2020	
Checked			
Approved			

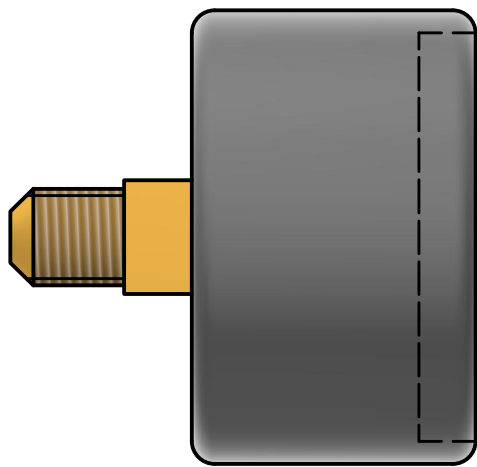
PFCRP

2 / 2

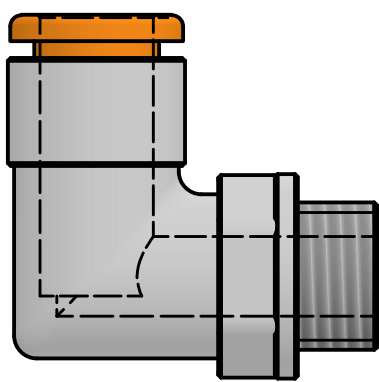
A3



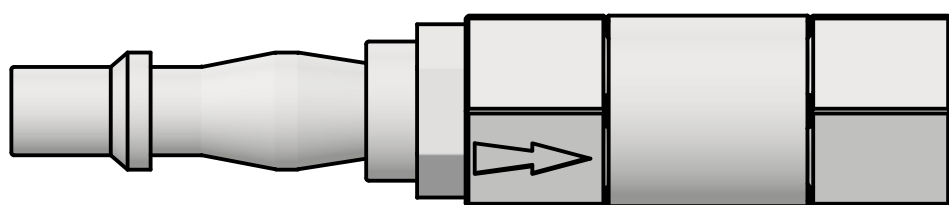
PRESSURE VALVE ASSY X 1



PRESSURE GAUGE X 1



90 DEG PUSH FITTING X 5



ONE WAY VALVE AND STEM X 1