



Innovators in Lubrication Design

|  |  |  |          |        |            |
|--|--|--|----------|--------|------------|
|  |  |  |          | Name   | Date       |
|  |  |  | Author   | Robert | 11/03/2025 |
|  |  |  | Checked  |        |            |
|  |  |  | Approved |        |            |

PF 970 LP REV B

1/1

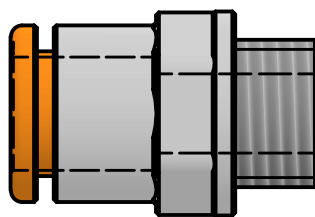
A3



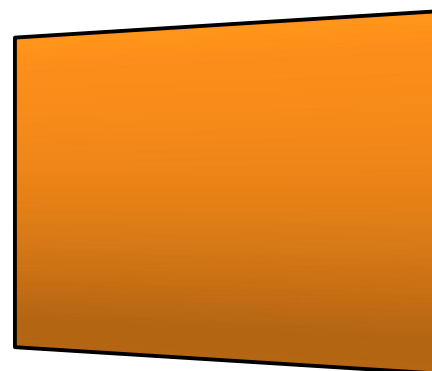
250MM TUBE X 2



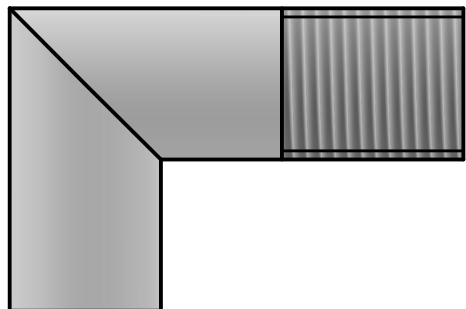
LOCKING NUT X 1



PUSH FITTING X 2



BUNG X 3



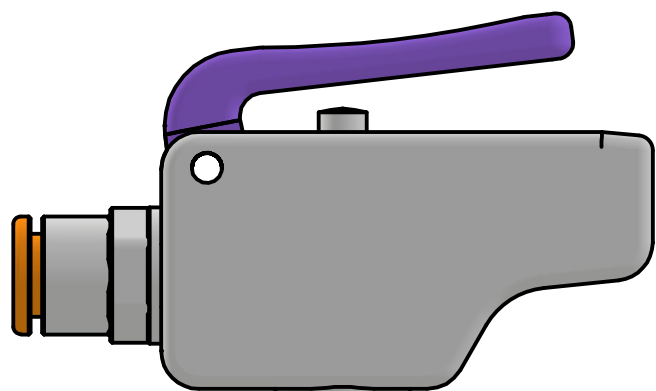
90 DEG END X 1



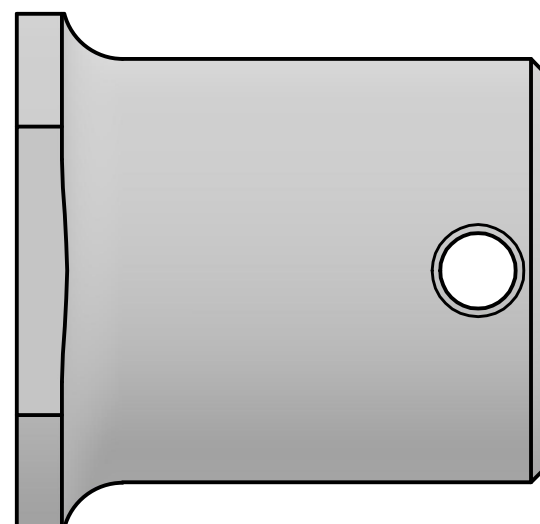
ALLEN KEY X 2



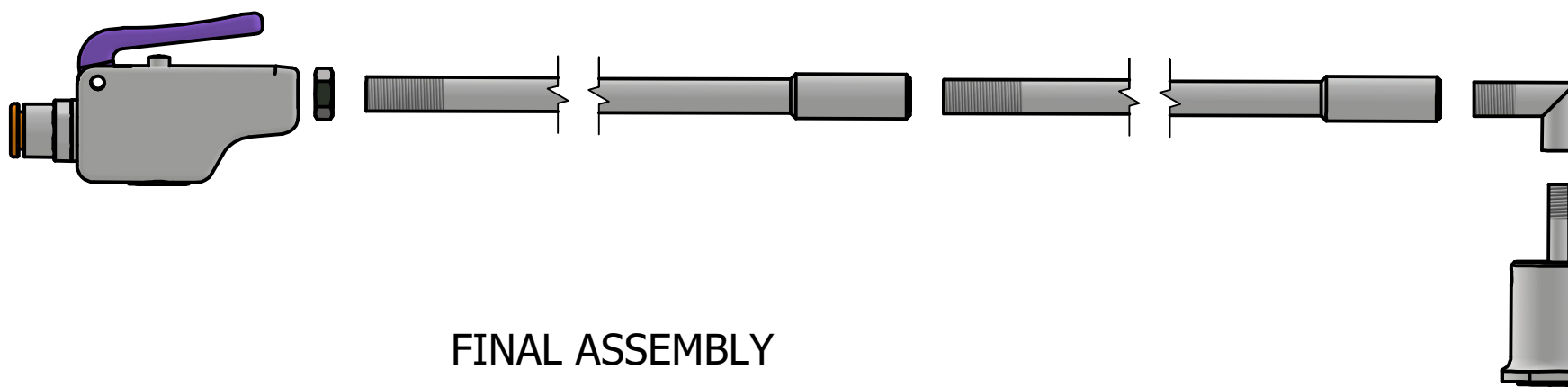
TIPS X 4



TRIGGER X 1



NOZZLE X 2



FINAL ASSEMBLY